

SUSPENSION CLAMP

1. Suspension Clamp (trunnion type)

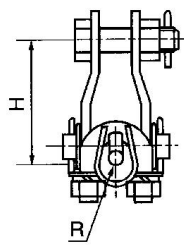
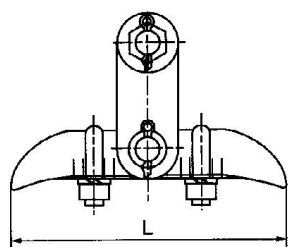


Fig 1

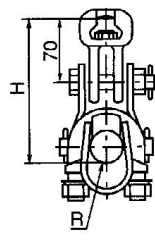


Fig 2

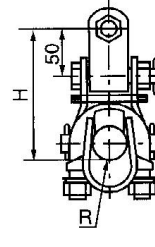
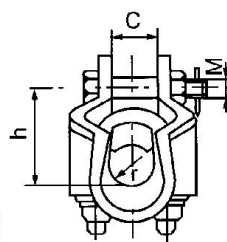
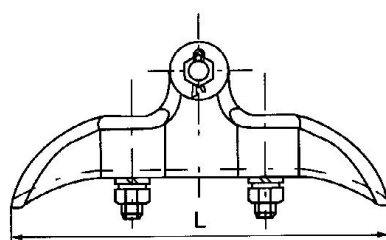


Fig 3

| Cat No. | Conductor Dia.(mm) | Dimensions(mm) | | | Fig. No. | UTS (KN) | Weight (Kg) |
|---------|--------------------|----------------|-----|------|----------|----------|-------------|
| | | H | L | R | | | |
| XGU-1 | 5.0-7.0 | 82 | 180 | 4.0 | 1 | 40 | 1.4 |
| XGU-2 | 7.1-13.0 | 82 | 200 | 7.0 | | 40 | 1.8 |
| XGU-3 | 13.1-21.0 | 102 | 220 | 11.0 | | 40 | 2.0 |
| XGU-4 | 21.1-26.0 | 110 | 250 | 13.5 | | 40 | 3.0 |
| XGU-5 | 23.0-33.0 | 87 | 300 | 17 | | 60 | 4.7 |
| XGU-6 | 34.0-45.0 | 93 | 300 | 23 | | 60 | 5.1 |
| XGU-5A | 23.0-33.0 | 157 | 300 | 17 | 2 | 60 | 5.7 |
| XGU-6A | 34.0-45.0 | 163 | 300 | 23 | | 60 | 6.1 |
| XGU-5B | 23.0-33.0 | 137 | 300 | 17 | 3 | 60 | 5.4 |
| XGU-6B | 34.0-45.0 | 143 | 300 | 23 | | 60 | 5.8 |
| XGU-7B | 45.0-48.7 | 146 | 300 | 26 | | 60 | 6.4 |

The body and keeper are made of malleable iron, cotter-pins are made of stainless steel, other parts are made of steel. All ferrous parts are hot-dip galvanized.

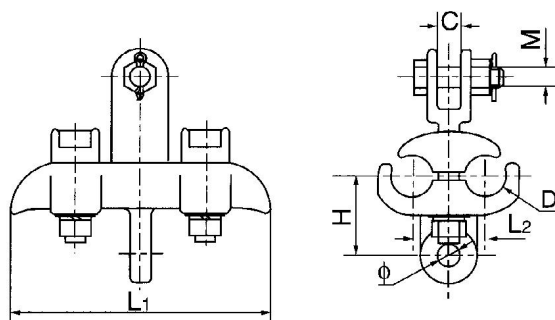
2. Suspension Clamp (envelope type)



| Cat No | Conductor Dia.(mm) | Dimensions(mm) | | | | | UTS (KN) | Weight (Kg) |
|--------|--------------------|----------------|----|----|------|-----|----------|-------------|
| | | h | C | M | r | L | | |
| XGT-1 | 5.0-7.0 | 54 | 16 | 16 | 6.0 | 146 | 71 | 1.2 |
| XGT-2 | 6.1-15.3 | 57 | 18 | 16 | 8.0 | 171 | 71 | 1.5 |
| XGT-3 | 7.6-17.8 | 57 | 18 | 16 | 9.0 | 180 | 71 | 1.6 |
| XGT-4 | 10.2-21.1 | 60 | 21 | 16 | 11.0 | 190 | 80 | 2.1 |
| XGT-5 | 12.7-25.4 | 60 | 26 | 16 | 15.0 | 203 | 80 | 2.6 |

The body and keeper are made of malleable iron, cotter-pins are made of stainless steel, other parts are made of steel. All ferrous parts are hot-dip galvanized.

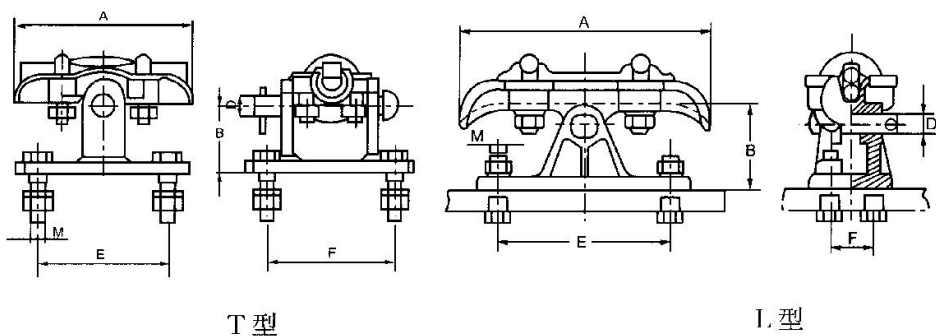
3.Suspension Clamp for Twin Jumper Conductors



| Cat No. | Conductor Dia.(mm) | Dimensions(mm) | | | | | | | UTS (KN) | Weight(Kg) |
|---------|--------------------|----------------|----|-----|----|----|----|----|----------|------------|
| | | Φ | D | L1 | L2 | M | C | H | | |
| XTS-1 | 18-24 | 18 | 26 | 200 | 50 | 16 | 19 | 57 | 40 | 4.5 |
| XTS -2 | 25-31 | 18 | 32 | 200 | 56 | 16 | 19 | 62 | 40 | 5.0 |
| XTS -2A | 17-21 | 18 | 22 | 200 | 50 | 16 | 19 | 57 | 40 | 4.5 |
| XTS -2B | 21-27 | 18 | 28 | 200 | 52 | 16 | 19 | 59 | 40 | 5.0 |

The body and keepers are made of malleable iron or cast iron, cotter-pins are made of stainless steel, other parts are made of steel. All ferrous parts are hot-dip galvanized.

4.suspension Clamp (tower top clamp & bracket)

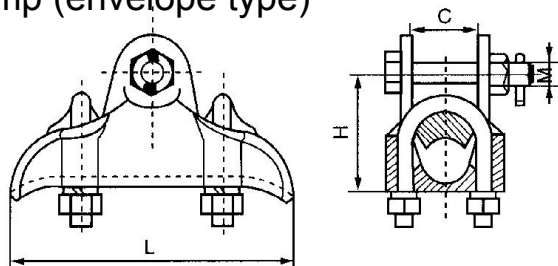


| Cat No | Conductor Dia.(mm) | Dimensions(mm) | | | | | | Fig. No. | UTS (KN) | Weight (Kg) |
|--------|--------------------|----------------|----|----|-----|----|----|----------|----------|-------------|
| | | A | B | D | E | F | M | | | |
| XZZ-1T | 7.0-12.0 | 130 | 70 | 16 | 90 | 90 | 12 | 1 | 70 | 3.5 |
| XZZ-2T | 12.0-18.0 | 150 | 70 | 16 | 90 | 90 | 12 | 1 | 70 | 4.0 |
| XZZ-1L | 7.0-16.0 | 180 | 70 | 16 | 140 | 34 | 12 | 2 | 70 | 2.50 |
| XZZ-2L | 16.0-26.0 | 200 | 70 | 16 | 140 | 34 | 12 | 2 | 70 | 2.90 |

Suitable for line post insulator. The body and keeper are made of galvanized malleable iron or Aluminum Alloy, Brackets are made of galvanized or malleable iron.

Cat. No. shall be ended with "T" for malleable iron; ended with "L" for aluminum alloy.

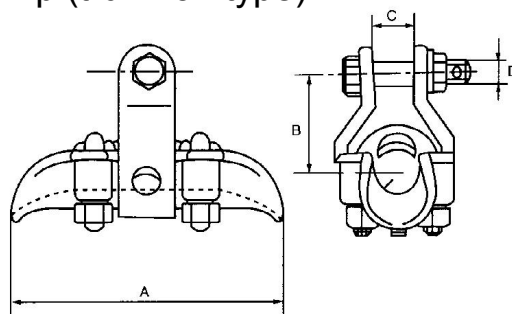
5. Suspension Clamp (envelope type)



| Cat No. | Conductor Dia.(mm) | Dimensions(mm) | | | | UTS (KN) | Weight(Kg) |
|---------|--------------------|----------------|----|------|----|----------|------------|
| | | L | H | C | M | | |
| XGH-1 | 5.0-8.5 | 178 | 54 | 17.5 | 16 | 50 | 1.2 |
| XGH-2 | 7.1-13.0 | 190 | 54 | 18.0 | 16 | 50 | 1.6 |
| XGH-3 | 11.0-18.5 | 200 | 52 | 22.0 | 16 | 50 | 2.4 |
| XGH-4 | 17.80-26.0 | 203 | 52 | 27.0 | 16 | 50 | 2.9 |
| XGH-5 | 23.0-32.0 | 216 | 68 | 33.5 | 16 | 60 | 3.1 |
| XGH-6 | 25.0-35.0 | 216 | 68 | 36.5 | 16 | 60 | 3.5 |
| XGH-7 | 27.0-39.0 | 230 | 54 | 40.0 | 16 | 70 | 3.9 |
| XGH-8 | 28.0-41.2 | 241 | 78 | 43.0 | 16 | 70 | 4.0 |
| XGH-9 | 31.3-46.2 | 254 | 83 | 48.6 | 16 | 70 | 4.2 |
| XGH-10 | 35.60-51.80 | 267 | 95 | 54.0 | 16 | 70 | 4.5 |
| XGH-11 | 44.50-57.20 | 280 | 95 | 58.7 | 16 | 70 | 4.8 |

The body and keeper are made of aluminum alloy, cotter-pins are made of stainless steel, other parts are made of hot-dip galvanized steel.

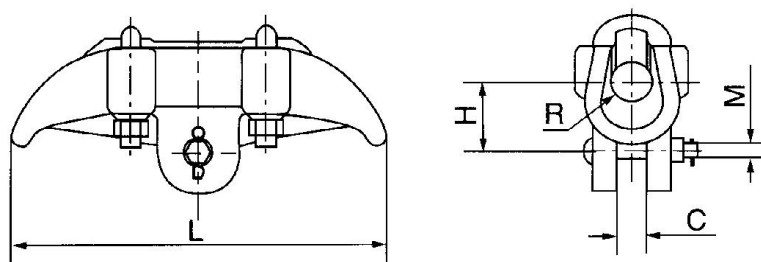
6.Suspension Clamp (trunnion type)



| Cat No | Conductor Dia.(mm) | Dimensions(mm) | | | | UTS (KN) | Weight (Kg) |
|--------|--------------------|----------------|-----|------|----|----------|-------------|
| | | A | B | C | D | | |
| XGZ-1 | 11.0-17.0 | 210 | 105 | 24.0 | 16 | 70 | 1.70 |
| XGZ-2 | 18.0-24.0 | 270 | 120 | 24.0 | 16 | 70 | 2.65 |
| XGZ-3 | 24.0-28.0 | 300 | 145 | 24.0 | 16 | 70 | 4.40 |
| XGZ-4 | 28.0-32.0 | 300 | 145 | 24.0 | 16 | 70 | 4.75 |
| XGZ-5 | 32.0-35.0 | 300 | 145 | 24.0 | 20 | 120 | 4.80 |
| XGZ-6 | 35.0-42.0 | 320 | 160 | 24.0 | 20 | 120 | 5.50 |
| XGZ-7 | 40.0-49.0 | 360 | 160 | 24.0 | 20 | 120 | 6.00 |
| XGZ-8 | 48.0-56.0 | 360 | 165 | 24.0 | 20 | 120 | 6.70 |

The body and keeper are made of aluminum alloy, cotter-pins are made of stainless steel, other parts are made of hot-dip galvanized steel.

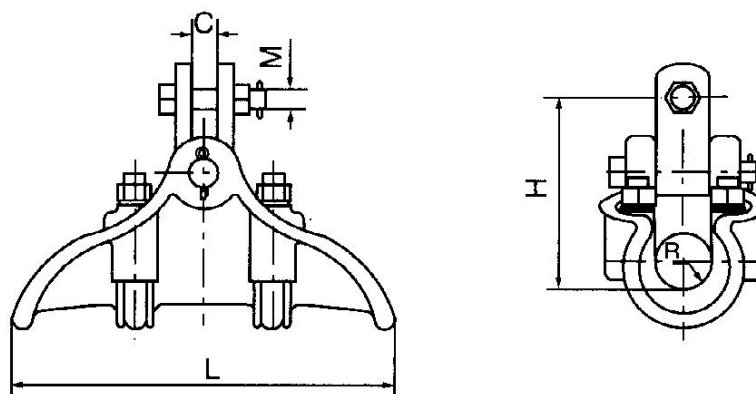
7.Suspension Clamp (carried-up type)



| Cat No. | Conductor Dia.(mm) | Dimensions(mm) | | | | | Rated Failure Load (KN) | Weight (Kg) |
|---------|--------------------|----------------|----|----|----|-----|-------------------------|-------------|
| | | H | C | M | R | L | | |
| XGF-5K | 23.7-27.6 | 55 | 24 | 16 | 16 | 300 | 60 | 3.0 |

The body and keeper are made of aluminum alloy, cotter-pins are made of stainless steel, other parts are made of hot-dip galvanized steel.

8.Suspension Clamp (hang-down type)



| Cat No | Conductor Dia.(mm) | Dimensions(mm) | | | | | Rated Failure Load (KN) | Weight (Kg) |
|-----------|--------------------|----------------|----|----|----|-----|-------------------------|-------------|
| | | H | C | M | R | L | | |
| XGF-5X | 23.7-30.0 | 135 | 20 | 16 | 16 | 300 | 60 | 3.5 |
| XGF-5X/GH | 23.7-30.0 | 147 | 20 | 16 | 16 | 300 | 60 | 4.8 |
| XGF-6X | 36.0-43.0 | 180 | 20 | 18 | 22 | 300 | 90 | 4.8 |

The body and keeper are made of aluminum alloy, cotter-pins are made of stainless steel, other parts are made of hot-dip galvanized steel.

9.Suspension Clamp (abrasion-proof type)

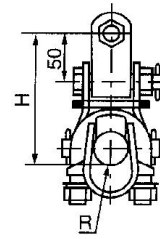
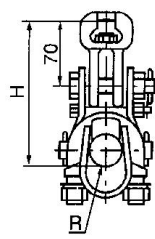
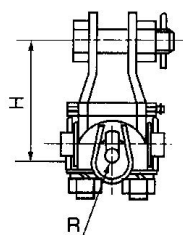
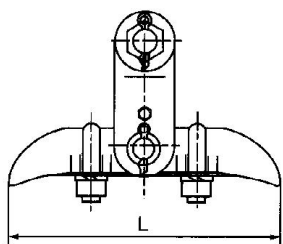


Fig 1

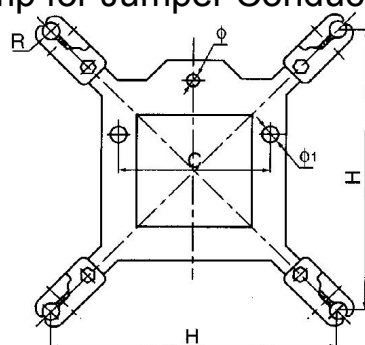
Fig 2

Fig 3

| Cat No. | Conductor Dia.(mm) | Dimensions(mm) | | | Fig. No. | U.T.S (KN) | Weight (Kg) |
|---------|--------------------|----------------|-----|------|----------|------------|-------------|
| | | H | L | R | | | |
| XGU-1F | 5.0-7.0 | 102 | 180 | 4.0 | 1 | 40 | 1.4 |
| XGU-2F | 7.1-13.0 | 102 | 200 | 7.0 | | 40 | 1.8 |
| XGU-3F | 13.1-21.0 | 121 | 220 | 11.0 | | 40 | 2.0 |
| XGU-4F | 21.1-26.0 | 132 | 250 | 13.5 | | 40 | 3.0 |
| XGU-5F | 23.0-33.0 | 140 | 300 | 17 | | 60 | 4.7 |
| XGU-6F | 34.0-45.0 | 155 | 300 | 23 | | 60 | 5.1 |
| XGU-5AF | 23.0-33.0 | 210 | 300 | 17 | 2 | 60 | 5.7 |
| XGU-6AF | 34.0-45.0 | 220 | 300 | 23 | | 60 | 6.1 |
| XGU-5BF | 23.0-33.0 | 190 | 300 | 17 | 3 | 60 | 5.4 |
| XGU-6BF | 34.0-45.0 | 205 | 300 | 23 | | 60 | 5.8 |
| XGU-7BF | 45.0-48.7 | 310 | 300 | 26 | | 60 | 6.4 |

The body and keeper are made of malleable iron, cotter-pins are made of stainless steel, other parts are made of steel. All ferrous parts are hot-dip galvanized.

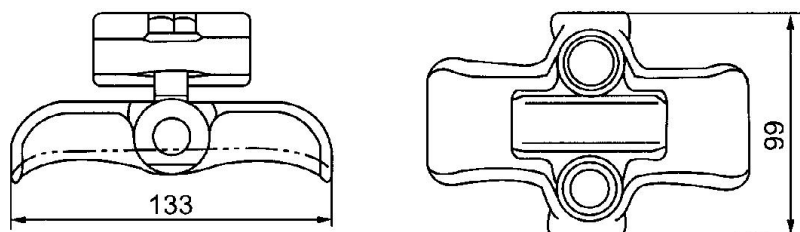
10.Suspension Clamp for Jumper Conductor



| Cat No | Conductor Dia.(mm) | Dimensions(mm) | | | | | Weight (Kg) |
|------------|--------------------|----------------|-----|----|------|----|-------------|
| | | H | C | Φ | R | Φ1 | |
| XT4 | 23.7-27.0 | 450 | 240 | 18 | 13.5 | 26 | 7.0 |
| XT-445/400 | 13.1-32.0 | 450 | 240 | 18 | 16.0 | 26 | 7.2 |

The body and keeper are made of aluminum alloy, cotter-pins are made of stainless steel, other parts are made of steel. All ferrous parts are hot-dip galvanized.

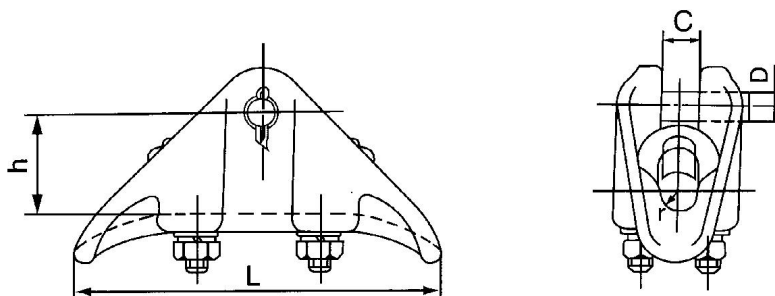
11. Top Clamp for Post Insulator



| | | | | | |
|--------------------|---------------------|-------|-------|-------|-------|
| Cat No. | Malleable Iron Made | XZT-1 | XZT-2 | XZT-3 | XZT-4 |
| | Aluminum Alloy Made | XZL-1 | XLZ-2 | XLZ-3 | XLZ-4 |
| Conductor Dia.(mm) | Max. | 14.2 | 21.3 | 26.9 | 38.1 |
| | Min. | 6.35 | 8.89 | 12.7 | 25.4 |

Suitable for ANSI class 57-11 to 57-26 horizontal mounting line post insulators. The clamp is made of hot-dip galvanized malleable iron or Aluminum alloy.

12. Aluminium Alloy Suspension Clamp (envelope type)



| Cat No | Conductor Dia.(mm) | Dimensions(mm) | | | | | Ultimate strength (KN) | Weight (Kg) |
|--------|--------------------|----------------|----|----|----|-----|------------------------|-------------|
| | | h | c | D | r | L | | |
| XGH-3A | 12.4-17.0 | 60 | 22 | 16 | 10 | 180 | 39 | 1.5 |
| XGH-4A | 19.0-21.6 | 74 | 28 | 16 | 12 | 220 | 39 | 2.2 |
| XGH-5A | 24.2-28 | 86.5 | 35 | 16 | 15 | 256 | 59 | 2.8 |
| XGH-8A | 49-52 | 97 | 56 | 20 | 27 | 300 | 69 | 4.5 |

The body and keeper are made of aluminum alloy. The cotter-pins are made of bronze, other parts are made of hot-dip galvanized steel.